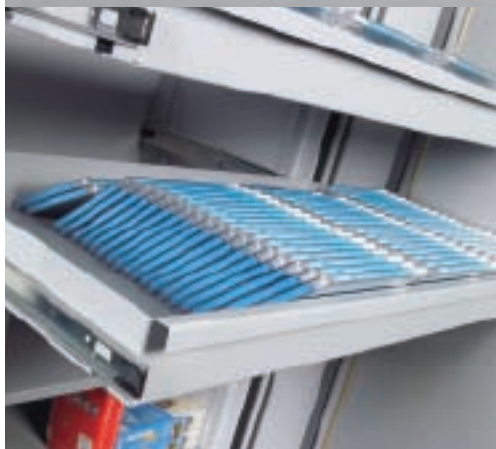


Polaris

120 minutes datamedia protection to the **HIGHEST** test standards



Model above is
D570

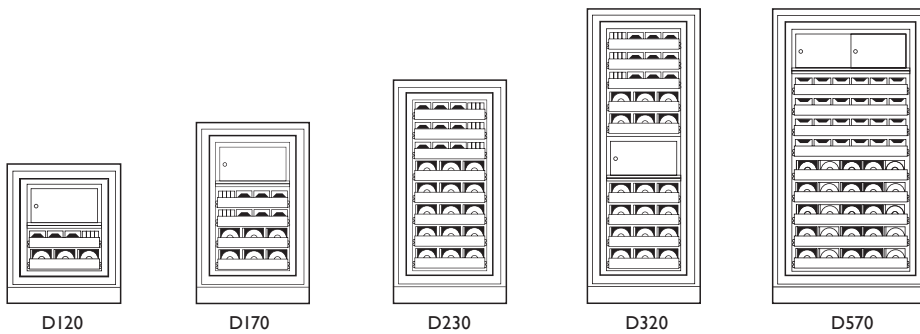


Losing your datamedia means that its invaluable contents are often left in the wrong hands. Such data could be priceless artwork, client payment details or even patient history. Inevitably, the long term outcomes of such a theft could be the loss of clients or more importantly, the closure of the business.

With the Rosengrens Polaris you can be assured all your datamedia will be fully protected against theft or fire. This new generation cabinet takes data protection to higher levels of luxury and appeal. It boasts a stunning and dynamic look with the new three spoke handle. Its product features just don't lie on the outside. Constructed from the highest specification materials, the cabinet offers 2 hours fire protection, high quality locking and can be customised with a wide range of fittings. With all of these features packed into a cabinet, it's no surprise the Polaris is the top of the datamedia protection range...

Polaris

120 minutes datamedia protection to the HIGHEST test standards



Product data										
Model Polaris	Ext Dimensions (mm)			Int Dimensions (mm)			Weight** (kgs)	Vol. (lit)	Fittings Supplied	Fire Rating
	Height	Width	Depth*	Height	Width	Depth				
D120	920	750	720	570	490	400	318	115	Empty	120
D170	1200	750	720	850	490	400	395	171	Empty	120
D230	1480	750	720	1130	490	400	495	227	Empty	120
D320	1950	750	720	1580	490	400	645	316	Empty	120
D570	1950	1040	770	1580	780	460	865	577	Empty	120

* Projection of handle is 65mm **Weights without interior fittings and packing.

Fire protection: The Rosengrens Polaris series has been tested and approved to EN 1047-1 and certified by ECB•S to the fire resistance of SI20DIS, which means 2 hours' fire protection. The range also holds an American UL certificate to the Class 125 2 H with fire and impact, which means 2 hours' fire protection.

Burglary protection: The Polaris cabinets are tested in accordance with the European norm EN 14450 and certified by ECB•S in security classes S1 and S2.

Lock: All Polaris data safes are secured by the Rosengrens resettable RKL-10 key lock as standard. Alternative locking includes electronic or dual locking options.

Design: The design is functional and elegant with a light colour scheme, built-in hinges and a functional handle with push and seal closure as standard. Thanks to the cabinets smaller external dimensions in relation to capacity the cabinets blend in well with most environments.


Quality and environmental management systems: The Rosengrens Polaris series are all manufactured in accordance with the ISO 9001 quality management system and the ISO 14000 environmental management system.

Rosengrens Product Guidelines: The construction of Polaris has been tested and approved to the Rosengrens Product Guidelines which are based on all relevant European norms. The aim is to verify the user friendliness, safety and product lifetime, thereby assuring customers that our products live up to the highest expectations.

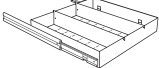
Maximum storage capacity of data media									
Type of data media	Size in mm	Media/shelf		Total number of data media/number of shelves					
		D120 - D320	D570	D120	D170	D230	D320	D570	
CD/DVD	142x124x10	117	225	468/4	702/6	936/8	1404/12	2700/12	
Zip drives	103x104x12	128	250	640/5	896/7	1280/10	1792/14	3500/14	
DLT/LTO tapes	110x112x30	48	94	192/4	336/7	432/9	624/13	1222/13	
DAT cassettes	80x60x15	134	260	1072/8	1608/12	2144/16	3216/24	6240/24	

Interior fittings

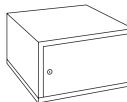
All fittings are adjustable on each 10 mm



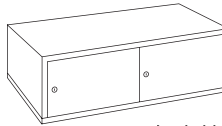
Fixed shelf
For D120 – D320
Size 17x474x395
For D570
Size 17x764x445



Extensible flexible shelf
For D120 – D320
Size 60x434x392
includes 2 dividers & 9 tilt supports
For D570
Size 60x724x452
includes 4 dividers & 15 tilt supports



Lockable compartment
For D120 – D320
Size 275x474x380



Lockable double compartment
For D570
Size 275x764x440

Interior fittings

All fittings are adjustable on each 10 mm

Fixed shelf
For D120 – D320
Size 17x474x395
For D570
Size 17x764x445

Extensible flexible shelf
For D120 – D320
Size 60x434x392
includes 2 dividers & 9 tilt supports
For D570
Size 60x724x452
includes 4 dividers & 15 tilt supports

Lockable compartment
For D120 – D320
Size 275x474x380

Lockable double compartment
For D570
Size 275x764x440

Gunnebo UK Limited

PO Box 61
Woden Road
Wolverhampton
WV10 0BY
United Kingdom
Phone: +44 (0) 1902 455111
Fax: +44 (0) 1902 351961

marketing@gunnebo.com
www.gunnebo.com